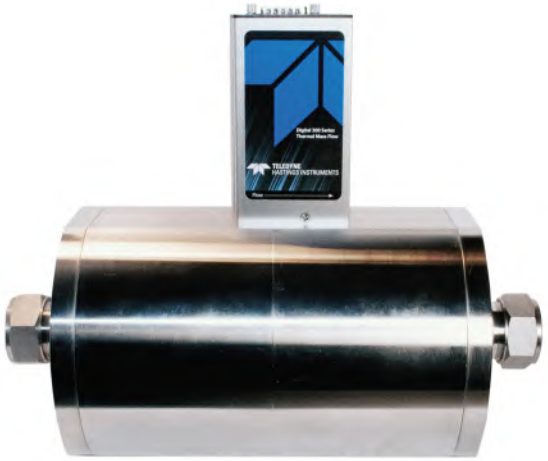


0~10,000 SLM Digital Mass Flow Meter / Controller

HFM-D-306A MASS FLOW METER / HFC-D-308A MASS FLOW CONTROLLER

High Flow



Full Metal Body 의 Digital HFM 306A / HFC 308A 는 2,500 slm 부터 10,000 slm(N₂) 구간에서 높은 정확도 $\pm(0.5\% Rd + 0.2\% F.S)$ 를 구현합니다. 아날로그 및 디지털 출력을 제공하며, 반복적으로 신뢰할 수 있는 정확한 가스 유량을 측정합니다. 센서와 밸브 및 오버 플로우에 대한 진단 및 자동 영점 기능을 가지고 있습니다. Data Logging Software 를 기본 제공해 드립니다.

Features (특징)

- Range 0~2,500 slm to 0~10,000 slm (N₂ Equivalent)
- RS 232 / RS 485
- Self-diagnostic Status LEDs
- Auto-Zero (HFC-D-308 Controller Only)
- Totalizer Flow
- Enhanced Accuracy and Digital Features
- Superior Linearity
- Rapid setting Time
- Operating Pressures to 300 psi
- NIST Traceable Calibration

Applications and Industries (응용 분야)

- Alternate Energy
- Fuel Cell R&D
- Secondary Calibration Reference
- Specialty Gas Delivery
- Custody Transfer

Flow Unit (유량 단위)

- 기준 STP : 0°C & 760 Torr / N₂
- SLM 2,500 ~ 10,000
 - SCFM 88.29 ~ 353.15
 - Kg/Hr 187.48 ~ 749.9
 - SM³/H 150 ~ 600
 - Mole/Min 111.54 ~ 446.15

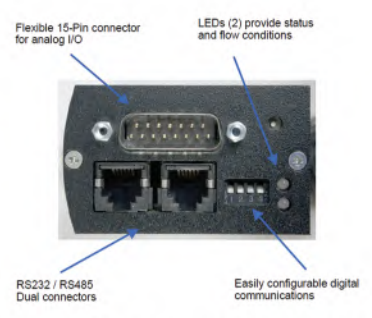
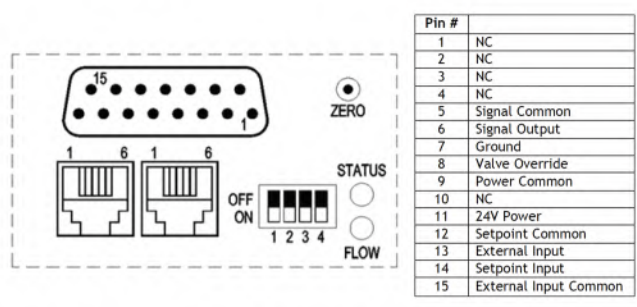
Specifications

HFM-D-306A (Meter)

HFC-D-308A (Controller)

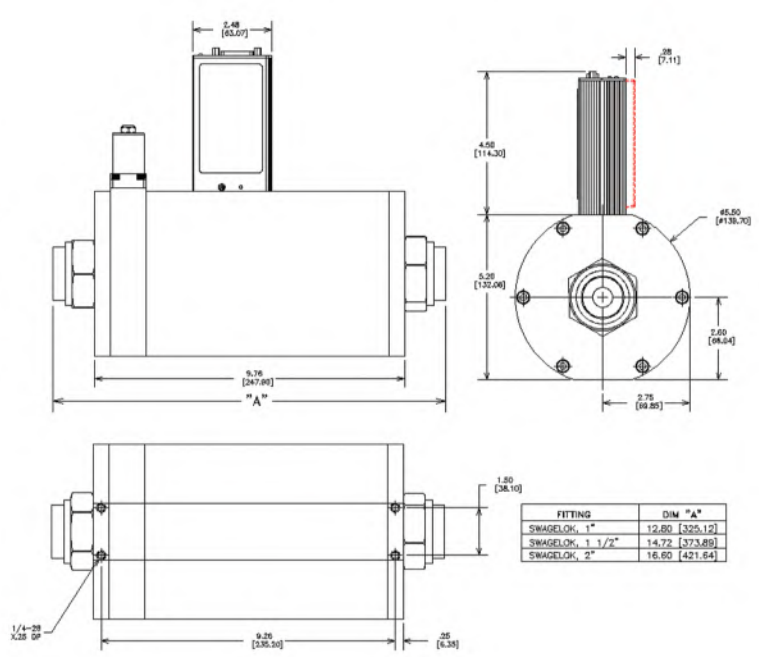
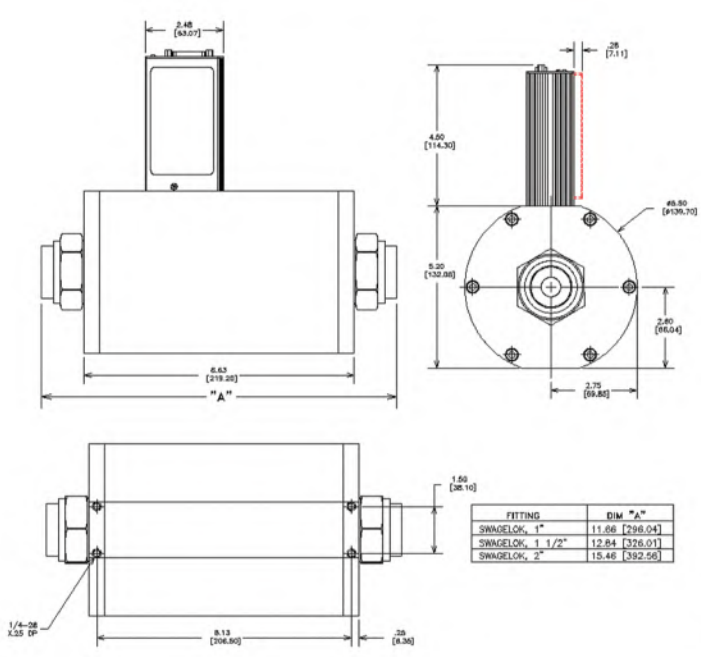
	HFM-D-306A (Meter)	HFC-D-308A (Controller)
Range	2,500 to 10,000 slm (N ₂)	2,500 to 10,000 slm (N ₂)
Accuracy	$\pm(0.5\% \text{ reading} + 0.2\% \text{ of full scale})$	$\pm(0.5\% \text{ reading} + 0.2\% \text{ of full scale})$
Repeatability	$\pm 0.15\% \text{ of F.S}$	$\pm 0.15\% \text{ of F.S}$
Maximum Working Pressure	300 psig	300 psig
Operating Temperature	-20~70°C	-20~70°C
Warm up time	30 min for optimum accuracy	30 min for optimum accuracy
	2min for $\pm 5\%$ of full scale	2min for $\pm 5\%$ of full scale
Temperature Coefficient of Zero	$< \pm 0.2\% / ^\circ\text{C}$ of full scale max (-20~70°C)	N/A for controller with Auto-Zero enabled
Temperature Coefficient of Span	$< \pm 0.1\% / ^\circ\text{C}$ of reading max (-20~70°C)	$< \pm 0.1\% / ^\circ\text{C}$ of reading max (-20~70°C)
Voltage	11~36 VDC ($\pm 12, \pm 15$ acceptable)	11~36 VDC ($\pm 12, \pm 15$ acceptable)
		15 VDC min. for 0~20 & 4~20 mA
Power "A" Series	3.1 Watt	6.7 Watt
Weight (approx.)	29 lb (13.1kg)	37 lb. (16.8kg)
Wetted Materials	316 SS, 302 SS, Ni 200, PTFE	316 SS, 302 SS, Ni 200, Kalrez, PTFE
	Viton® (Optional Buna-N®)	Viton® (Optional Buna-N®)

Pin Map



Outline Drawings – HFM-D-306A

Outline Drawings – HFC-D-308A



Selection chart

